

Campaign Catalogue

# SPARE PARTS SPECIALS

Massive savings - Limited Time Only!

Reference

**#Sale2026\_0601**

Valid

**01 Jun 2026 - 07 Jun 2026**



Scan for campaign form

Offer valid while stocks last

# Product Specials



LO 99 76 9355 A

## 90 DEGREE ELBOW 40 MM X 1 1/4 IN PLAIN/FEMALE

PVC-U 90 degree elbow fitting with a 40 mm metric plain connection and 1 1/4 inch female...

Spares & Components | PVC Pipe Fittings, Water and...



LO 99 76 1905 A#

## A9 CAP FOR ARBOR SHAFT

Cap for an arbor shaft used in auger or feeding-system assemblies. Intended as a small...

Poultry Production | Livestock Hardware, Auger and...



BD 60 43 4870 A

## ALARM UNIT AC108 GSM

AC 108 GSM is an alarm autodialler with voice output for farm alarm monitoring. It stores...

Pig Production, Poultry Production | Controls,...



BD 99 76 1955 C#

## BATCHWEIGHER SUPPORT FOR FEED SCALE

Support component for a feed-scale batch weigher installation. Big Dutchman...

Pig Production, Poultry Production | Feed Weighing,...

Offer valid while stocks last

# Product Specials



**BD 99 30 4007 A**

## BIG DUTCHMAN LUXMETER

BD Lux is a mobile light meter for checking poultry-house light distribution and recording...

Poultry Production | Lighting, Measurement



**LO 99 76 4499 A**

## CABTYRE CABLE CU PVC 300/500 V BLACK 1.5 MM X 7 CORE

Flexible black copper/PVC cabtyre cable for low-voltage equipment wiring where a 300/500 V...

Poultry Production | Electrical, Cable



**BD 20 55 4205 A**

## CENTRIFUGAL PUMP 4.00 KW 400/690 V 50 HZ SST MOTOR AND HOUSING

A 4.0 kW stainless-steel centrifugal pump assembly for liquid feeding installations. Use...

Pig Production | Liquid Feeding, Pumps



**BD 91 08 3100 A**

## CONTROL BOX BD 105, 1 CIRCUIT, 1.1-1.7 KW, 2.5-4 A, 400 V 3 PHASE

Three-phase control box for switching and protecting a single 400 V circuit in the stated...

Poultry Production | Controls, Electrical

**Offer valid while stocks last**

# Product Specials

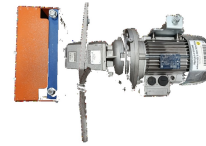


**LO 99 76 9562 A**

## DRIVE IN-LINE ADAPTOR FLANGE AND PIPE, 2-HOLE ELECTROPLATE

Electroplated adaptor hardware for a drive-line/flange-and-pipe connection. It...

Poultry Production, Egg Production | Livestock...

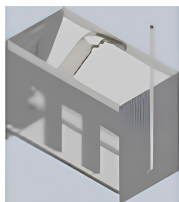


**ST 8973 ST**

## DRIVE UNIT 2.2 KW 1-LINE STANDALONE, 36 M/MIN

Standalone drive unit for a one-line automatic chain feeding system at 36 m/min. Big Dutchman...

Egg Production, Poultry Production | Chain Feeding,...



**BD 65 02 3233 A**

## DRYWET FINISHING FEEDER 2X3 SST WELDED, 1035 X 545 X 780

Stainless-steel DryWet feeder for finishing pigs, offering dry feed and wet feed through an...

Pig Production | Pig Feeding, DryWet Feeders,...



**BD 82 90 4605 A**

## ELECTRIC MOTOR 1.5 HP 230/400 V 50 HZ 3 PHASE EVO

Three-phase 1.5 HP electric motor for Big Dutchman equipment requiring 230/400 V, 50 Hz...

Poultry Production | Electrical, Motors

**Offer valid while stocks last**

# Product Specials



**BD 60 50 0151 A**

## FREQUENCY CONVERTER FXDM 5AM, 208-480 V, 50/60 HZ, 3 PHASE, IP54 WITH HOUSING

FXDM 5AM frequency converter for speed control of three-phase fan or motor loads on 208-480 V,...

Poultry Production | Climate, Electrical, Controls



**BD 60 50 0035 A**

## FREQUENCY CONVERTER FXDM 8AM, 208-480 V, 50/60 HZ, 3 PHASE

FXDM 8AM frequency converter for variable-speed control of three-phase ventilation equipment...

Poultry Production | Climate, Electrical, Controls



**BD 20 50 4238 A**

## GEAR MOTOR 3.0 KW 400/690 V 50 HZ

A 3.0 kW gear motor used as a drive component in Big Dutchman liquid feeding pump equipment...

Pig Production | Liquid Feeding, Pump/Motor Spares,...



**BD 46 81 0778 A**

## GEAR MOTOR 3.00 KW 1400 RPM B5 SE25-40 3 X 400 V M&M

3.0 kW gear motor for SE25/SE40-style chain elevator or feed conveying applications...

Pig Production | Feed Conveying, Chain Elevator...

**Offer valid while stocks last**

# Product Specials



**BD 20 50 4338 C**

## GEAR MOTOR 4.00 KW 400/690 V 50 HZ FOR PUMP L45

A 4.0 kW IP55 motor/gear unit specified for the L45 feeding pump. Use it as a replacement drive...

Pig Production | Liquid Feeding, Pump/Motor Spares,...



**BD 90 00 4040 A**

## GEAR MOTOR 4.00 KW 400/690 V 50 HZ, 63R V1/A1 250 SHAFT 40 X 58

Big Dutchman 4.00 kW geared motor with 400/690 V, 50 Hz supply rating and 40 x 58 shaft...

Poultry Production | Motors and Drives, Gear Motors



**BD 46 81 0797 A**

## GEAR MOTOR 5.50 KW 1400 RPM B5 SE25-40 3 X 400 V M&M

Gear motor for SE25/SE40-style feed conveying or elevator systems. Use this item where a 5.5...

Pig Production | Feed Conveying, Chain Elevator...



**BD 83 06 2207 A**

## GEARED MOTOR 3.00 KW 7:1 FOR TUBE AUGER M152, 3 X 400 V M&M

3.0 kW geared motor for an M152 tube-auger feed conveying system. Big Dutchman's spare-parts...

Pig Production | Feed Conveying, Tube Augers, Gear...

**Offer valid while stocks last**

# Product Specials



**BD 60 41 9183 A**

## LPC-10 FAN, 1 PHASE, 50/60 HZ, 230 V, 24800 M3/H FOR CL-820

LPC-10 fan for CL-820 chimney/pipe installation, rated for 230 V single-phase...

Poultry Production | Climate, Ventilation



**BD 83 03 7781 A**

## ND PLATE D135 WITH BEARING M&M

Bearing plate component for compatible D135 Big Dutchman/M&M feed conveying equipment. Use...

Pig Production | Feed Conveying, Auger and Elevator...



**LO 99 76 1948 A**

## NIPPLE NI2 3/4 IN

3/4 inch PVC-U threaded nipple for joining compatible threaded fittings in water or...

Spares & Components | PVC Pipe Fittings, Threaded...



**BD 20 50 4207 A**

## ROTOR 1.4571 #1999 FOR PUMP L45

A rotor for the Big Dutchman L45 feeding pump. It should be matched to the L45 pump assembly...

Pig Production | Liquid Feeding, Pump/Motor Spares,...

**Offer valid while stocks last**

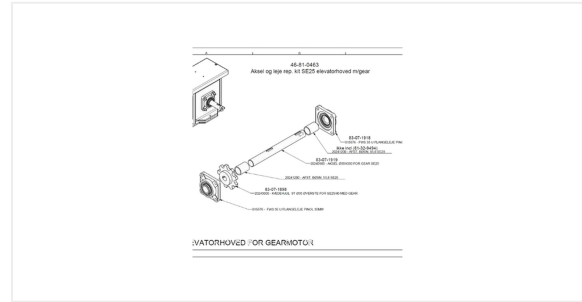


**BD 20 50 4298 A**

### ROTOR 1.4571 #1999 FOR PUMP M45

A stainless-steel 1.4571 rotor identified as #1999 for the M45 feeding pump. It is a...

Pig Production | Liquid Feeding, Pump/Motor Spares,...

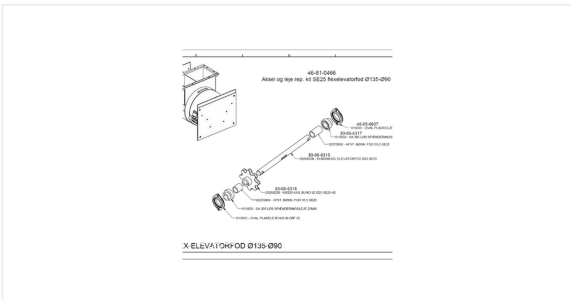


**BD 46 81 0463 A**

### SHAFT AND BEARING REPAIR KIT FOR ELEVATOR TOP SE25 GEAR M&M

Repair kit for the shaft and bearing assembly in a SE25 elevator top with gear drive. The...

Pig Production | Feed Conveying, Chain Elevator...

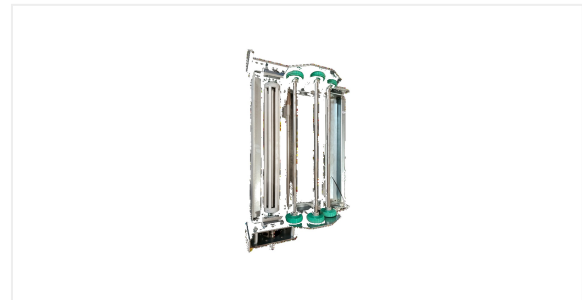


**BD 46 81 0466 A**

### SHAFT AND BEARING REPAIR KIT FOR FLEX FOOT SE25 D135-D90 M&M

Repair kit for the shaft and bearing assembly in a SE25 flex foot D135-D90 unit. The official...

Pig Production | Feed Conveying, Chain Elevator...



**BD 57 05 3019 C**

### SHORT DRIVE RH 0.18 KW TENSIONER WITHOUT MOTOR FOR ROD CONVEYOR

Right-hand short-drive tensioner assembly for a Big Dutchman rod conveyor, supplied without...

Egg Production | Egg Conveying, Rod Conveyor Parts,...

# Product Specials



**BD 11 32 3013 A**

## STARTER KIT CABLE WINCH 1400 KG 1-LINE WITH/WITHOUT INTERMEDIATE CEILING

Cable winch starter kit for lifting or adjusting suspended poultry-house equipment...

Poultry Production | Climate, Suspension, Winches



**BD 99 30 3746**

## SUNLIGHT SIMULATOR DIGITAL SLS-1+ WITHOUT HOUSING

Digital sunlight simulator for centrally adjusting poultry-house dimming programs that...

Egg Production, Poultry Production | Lighting,...



**BD 60 43 6597 A**

## VIPERTOUCH CLIMATE PLUS BASIC LAYER PRODUCTION PROGRAM

Software/program layer for ViperTouch climate and production control in layer houses...

Egg Production, Poultry Production | Controls,...



**BD 21 00 2471 A**

## WATER PUMP CM10-3 SST, 2.20 KW, 3 PHASE, 50 HZ

A stainless Grundfos CM10-3 horizontal multistage centrifugal water pump specified at...

Pig Production | Liquid Feeding, Pumps, Water Pumps

**Offer valid while stocks last**

# Product Specials



**RC-27281**

## **WHITE/GREEN 700 G PVC CURTAIN, 85 M X 2.0 M HEMMED**

Hemmed PVC curtain roll for livestock-house ventilation or weather protection openings. Use...

---

Poultry Production, Pig Production | Curtains,...



**BD 60 50 3331 A**

## **WINCH MOTOR 230 V EWA-10, 5.2 RPM, 50 NM, 1.5 A**

EWA-10 230 V winch/servomotor for operating ventilation or inlet mechanisms requiring slow,...

---

Poultry Production | Climate, Electrical, Motors

**Offer valid while stocks last**

# Campaign Information

## Campaign Details

<b>Start</b>	01 Jun 2026
<b>End</b>	07 Jun 2026
<b>Campaign code</b>	Sale2026_0601

## Files and Resources

No extra resources added.



**Scan to enquire**